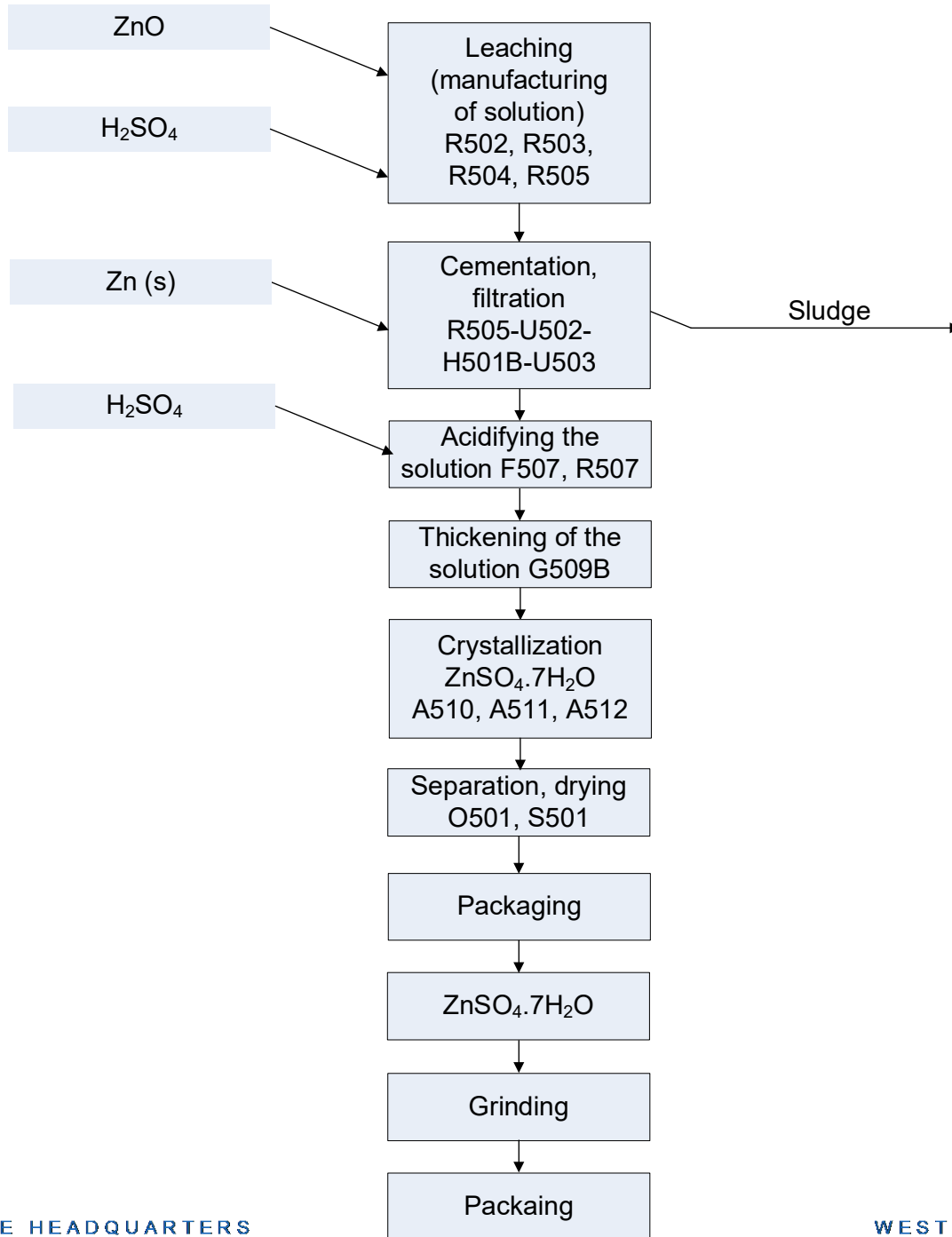


Manufacturing Process Flowchart

Zinc Sulfate, Heptahydrate, USP, bioCERTIFIED™ – ZS901



CORPORATE HEADQUARTERS

769 Jersey Avenue

New Brunswick, NJ 08901

PHONE 732.214.1300

FAX 732.246.7132

WEST COAST FACILITY

14422 South San Pedro Street

Gardena, California 90248

PHONE 310.516.8000

FAX 310.516.9843